

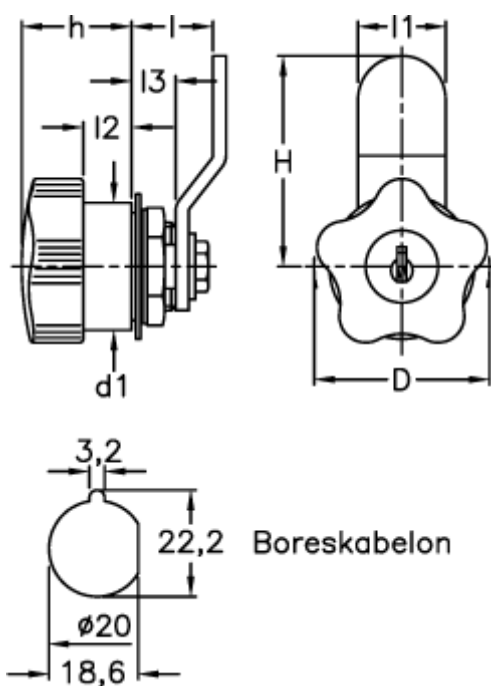
# Data Sheet



Article number: 2310068122

Description: E+G Latch w/shaped lever and key  
VC.309/40-S

## Measures



D	= 40
d1	= 29
H	= 50
h	= 25
l +/-0.5	= 10
l1	= 20
l2	= 11